

3000 Series GigE Area Scan Camera

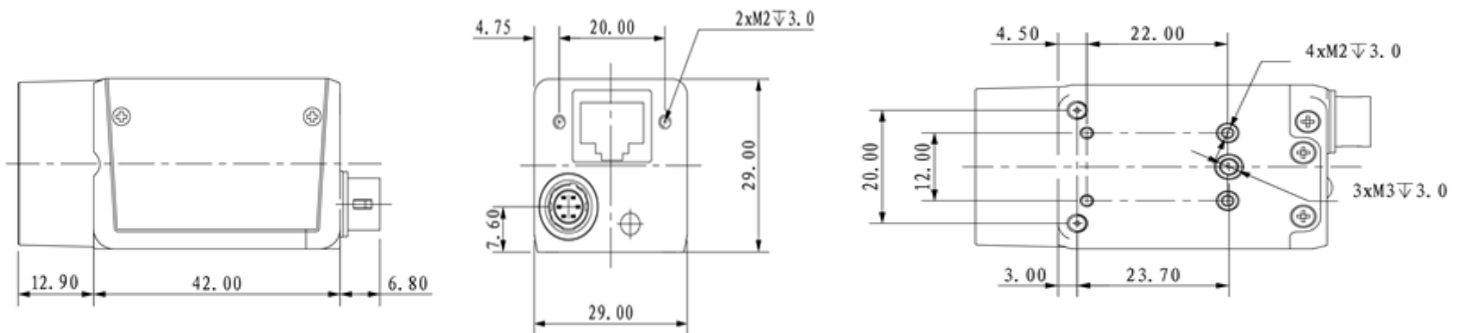
A3203MG000E

Product Features

- Gigabit Ethernet interface, providing 1Gbps bandwidth with a maximum transmission distance of 100m;
- 128MB on-board cache for data transmission or image resend;
- Support Software Trigger/Hardware Trigger/Free Run Mode;
- Support ISP functions including Sharpness/Denoising/Gamma/LUT/BlackLevel Correction/TargetBrightness/Contrast etc.;
- Support multiple image data formats output/ROI/Binning/Mirror, etc.;
- Conform to GigE Vision V2.0 protocol and GenICam standard;
- Support PoE power supply, DC 9V~24V wide voltage power supply;
- Conform to CE, FCC, RoHS;



Dimensions (mm)



Technical Specifications

| Model Name | A3203MG000E |
|---------------------|---|
| Sensor | E2V |
| Sensor Type | 1/1.8"CMOS |
| Shutter | Global |
| Resolution | 1600 x 1200 |
| Frame Rate | 55 |
| Bit Depth | 10 |
| Mono/Color | Mono |
| Pixel Size | 4.5 x 4.5 |
| Pixel | 2MP |
| S/N Ratio | >38dB |
| WDR | Support DOL-HDR |
| Image Format | Mono8/10/10Packed |
| Binning | Support |
| ROI | Support |
| Gain | 1~32 |
| Gamma | From 0 ~ 4, support LUT |
| Exposure Time | 16μS~1S |
| Sync Mode | Software Trigger/Hardware Trigger/Free Run Mode |
| SPC | Support |
| User Setting | Support two sets of user-defined configurations |
| Cache | 64MB |
| Port | GigE, PoE |
| GPIO | 1x 6 pin Hirose: 1x Opto-isolated input, 1x Opto-isolated output, 1 configurable input and output |
| Lens Mount | C-mount |
| Power Supply | PoE/ DC 9V~24V power supply via Hirose interface |
| Power Consumption | 12V≈3.3W |
| Product Dimensions | 29mm*29mm*42mm(not including lens mount and rear case connector) |
| Weight | 88g |
| Working Environment | Storage: - 30°C~+80°C; Operation: - 30°C~+50°C |

© 2021 IRAYPLE. All rights reserved. Design and specifications are subject to change without notice.
Pictures in the document are for reference only, and the actual product shall prevail.